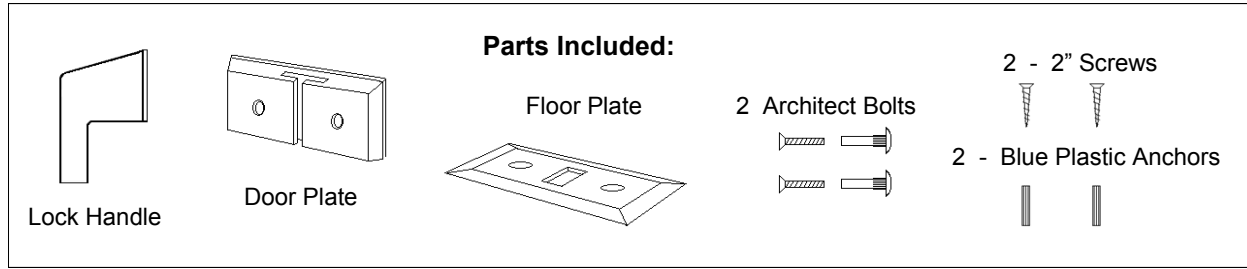
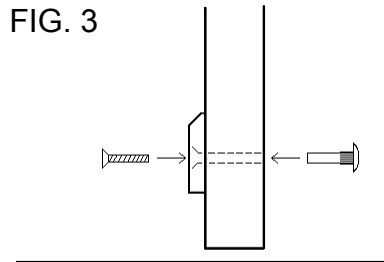
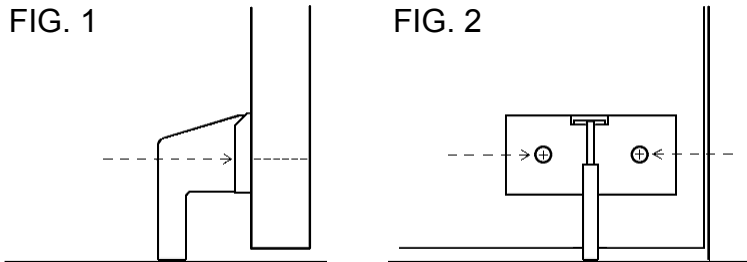
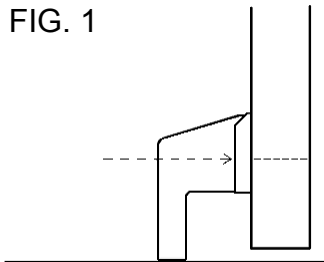


# NIGHTLOCK LOCKDOWN - Installation Instructions

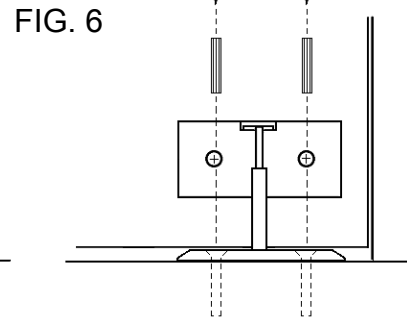
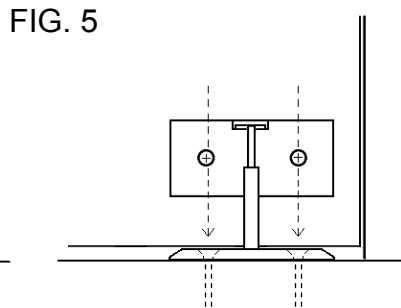
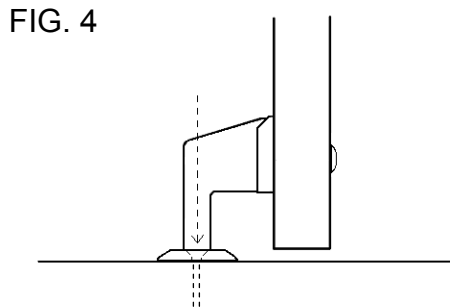


**SEE REVERSE SIDE FOR (Low Profile) Floor Plate INSTALLATION INSTRUCTIONS**



**Step 1.** Position Door Plate and Handle on inside of door and near opening edge of door, to locate holes. See **FIG. 1** and **FIG. 2**. Handle will rest on floor.

**Step 2.** Drill 3/8" Dia. holes completely through door. To eliminate splintering, drill small pilot hole first, then drill with 3/8" drill bit half way through from both sides of door. Fasten door plate to door with 2 architect bolts, (included). See **FIG. 3**



**Step 3.** Position Floor Plate under Handle with Handle inserted into rectangular hole of Floor Plate. Check for squareness to door and ease of insertion. Locate and mark screw holes on floor. **FIG. 4** and **FIG. 5**

**Step 4.** Drill 5/16" Dia. holes deep enough to accept screws. Insert Blue Plastic Anchors, (included) into 5/16" Dia. holes and fasten floor plate to floor with 2 screws, (included). See **FIG. 6**

**TOOLS NEEDED:**  
 POWER DRILL / SCREW DRIVER  
 3/8" DIA. DRILL BIT (for wood or metal door).  
 5/16" DIA. DRILL BIT (for concrete or masonry use).

Patent Pending

**INSTALLATION TUTORIAL VIDEOS:**  
 Available Online At: [www.classroomlockdown.com](http://www.classroomlockdown.com)  
 See Other Nightlock Products At: [www.nightlock.com](http://www.nightlock.com)  
 For Ordering and Customer Service 855-644-4856

**IMPORTANT:**

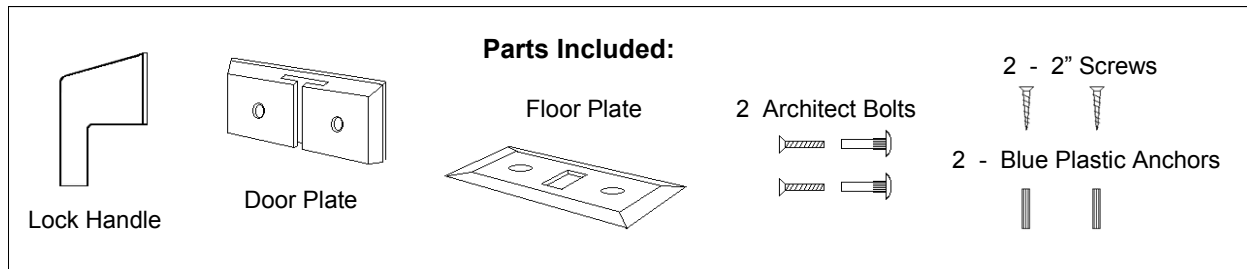
**Practice Drills** - Schedule regular practice drills. Teachers should be skilled and ready to react during an emergency.  
**Lock Handle Location** - Teachers should check daily to ensure lock handle is available and ready for use, in it's proper secure location.  
**Janitorial / Maintenance** - Keep floor plate hole clear of debris with regular cleaning. Check bolts and screws periodically to ensure they are tight and secure.  
**Extra Lock Handles and Emergency Release Tool** - Make regular checks to ensure extra lock handles and emergency release tools are available if needed, and kept at a secure location such as an administrators office.



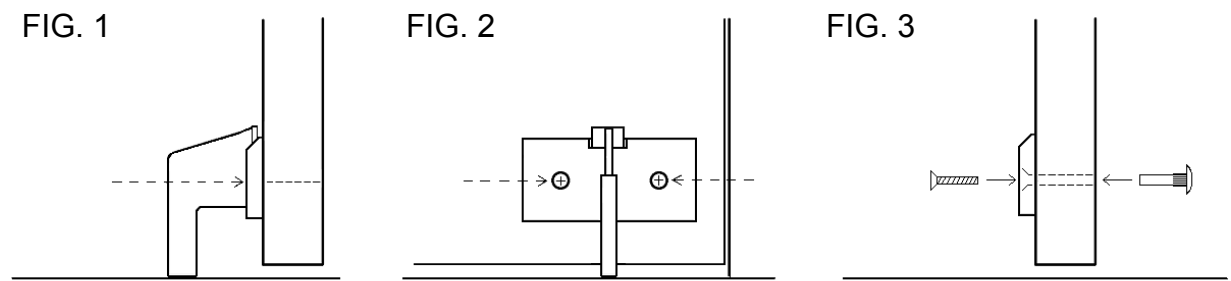
Taylor Brothers Door Lock  
 Flint, Michigan 48505 USA



# NIGHTLOCK LOCKDOWN - with Low Profile Floor Plate - Installation Instructions

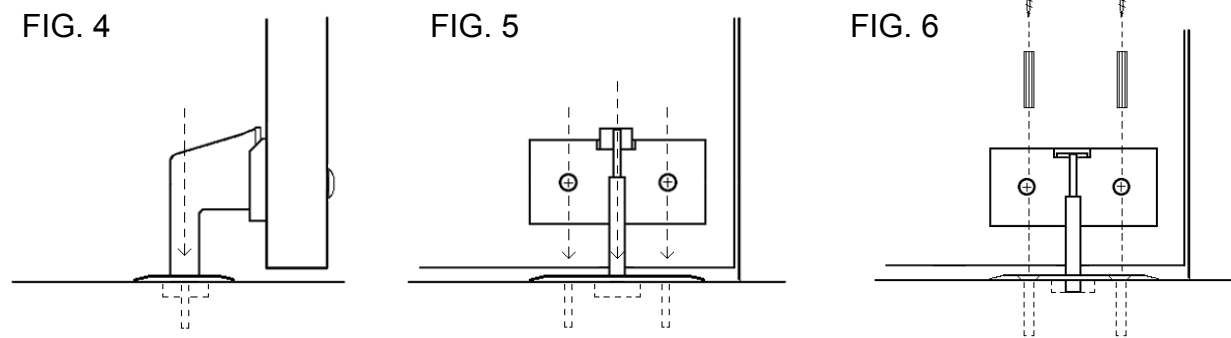


SEE REVERSE  
SIDE FOR  
(Non-Low Profile)  
Floor Plate  
INSTALLATION  
INSTRUCTIONS



**Step 1.** Position Door Plate and Handle on inside of door and near opening edge of door, to locate holes. See FIG. 1 and FIG. 2 Allow handle to protrude 3/8"-1/2" above Door Plate. Handle will rest on floor.

**Step 2.** Drill 3/8" Dia. holes completely through door. To eliminate splintering, drill small pilot hole first, then drill with 3/8" drill bit half way through from both side of door. Fasten door plate to door with 2 architect bolts, (included). See FIG. 3



**Step 3.** Position Floor Plate under Handle with Handle inserted into rectangular hole of Floor Plate. Check for squareness to door and ease of insertion. Locate and mark screw holes on floor. Remove Handle and locate core hole location at center of rectangular hole in Floor Plate. FIG. 4 and FIG. 5 This center core hole is necessary to allow the handle to drop through the Low Profile Floor Plate, for proper operation.

**Step 4.** Drill 5/16" Dia. holes deep enough to accept screws. Drill a 1-1/4" Dia. hole at center core hole location, 3/8"-1/2" deep. Insert Blue Plastic Anchors, (included) into 5/16" Dia. holes and fasten floor plate to floor with 2 screws, (included). See FIG. 6

Patent Pending

**TOOLS NEEDED:**

- POWER DRILL / SCREW DRIVER
- 3/8" DIA. DRILL BIT (for wood or metal door).
- 5/16" DIA. DRILL BIT (for concrete or masonry use).
- 1-1/4" DIA. CORE BIT (for concrete or masonry use).

**INSTALLATION TUTORIAL VIDEOS:**  
Available Online At: [www.classroomlockdown.com](http://www.classroomlockdown.com)  
See Other Nightlock Products At: [www.nightlock.com](http://www.nightlock.com)  
For Ordering and Customer Service 855-644-4856

**IMPORTANT:**

**Practice Drills** - Schedule regular practice drills. Teachers should be skilled and ready to react during an emergency.  
**Lock Handle Location** - Teachers should check daily to ensure lock handle is available and ready for use, in it's proper secure location.  
**Janitorial / Maintenance** - Keep floor plate hole clear of debris with regular cleaning. Check bolts and screws periodically to ensure they are tight and secure.  
**Extra Lock Handles and Emergency Release Tool** - Make regular checks to ensure extra lock handles and emergency release tools are available if needed, and kept at a secure location such as an administrators office.



Taylor Brothers Door Lock  
Flint, Michigan 48505 USA

## TIP SHEET

### For the Low Profile 1/8" thick floor plate install

### For Drilling the extra Center Hole

USE: 1-1/4" DIAMOND GRIT HOLE SAW

1. Hold saw at an angle to start hole , then straight down 3/8"to 1/2" deep.

To extend hole saw life, use a little water during cut.



2. Chisel out center , for a flat surface.

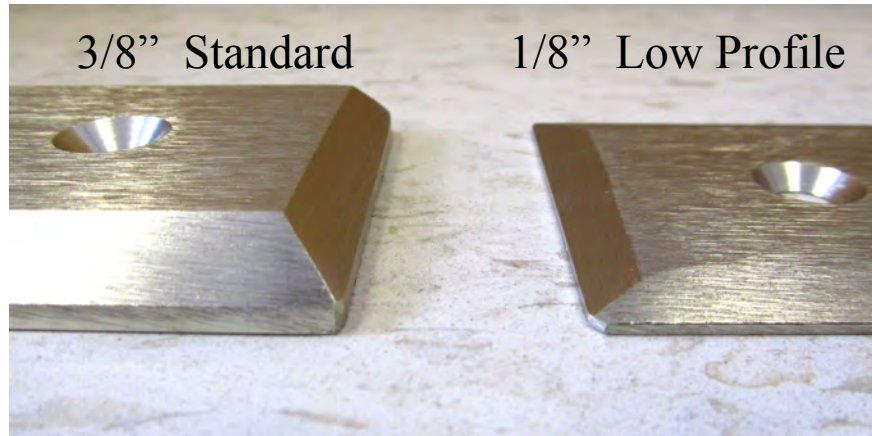
Don't forget safety glasses.



**NIGHTLOCK® LOCKDOWN**

By Taylor Brothers Door Lock LLC  
Ph: 855-644-4856 [www.classroomlockdown.com](http://www.classroomlockdown.com)

# Floor Plate Options



The 1/8" thick Low Profile floor plate option requires 1 extra step during installation. A shallow recessed hole in the floor, below the center hole, only 3/8" inch deep. Easy to do, see the Center Hole Tip Sheet .



Both options are the same price and have the same strength rating.

**NIGHTLOCK<sup>®</sup> LOCKDOWN**

By Taylor Brothers Door Lock LLC  
Ph: 855-644-4856    [www.classroomlockdown.com](http://www.classroomlockdown.com)